

Matrix Magnets

Bespoke cryostats for NMR studies

Matrix Magnets have extensive experience in the design and manufacture of superconducting magnets and cryogenic systems for MRI and NMR applications. In particular, we offer bespoke cryogenic systems tailored to experimental investigations into Dynamic Nuclear Polarization and Hyper-polarisation NMR.



Features

- Conventional flow cryostats or inserts cooled by cryocoolers
- Low magnetic susceptibility materials
- Custom NMR cryoprobes
- Corrugated waveguides manufactured by Thomas Keating
- Windows transparent to optical and infrared light
- Semi-rigid coaxial lines
- Cold stage for electronic components

The illustration shows a flow cryostat developed with Thomas Keating Ltd. for rapid cycling dissolution DNP investigations.

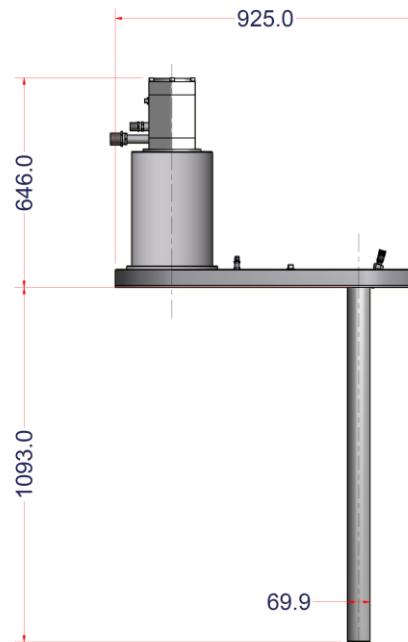
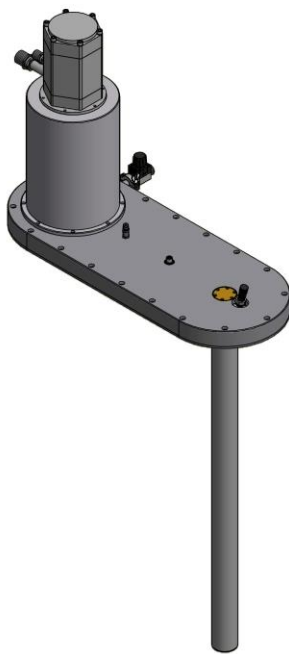
Matrix Magnets

Matrix Magnets Ltd., 8, Brasenose Drive, Kidlington, Oxon, OX5 2HD, UK

Please send enquiries to: jonathan04.cole@gmail.com

Matrix Magnets

Bespoke NMR cryoprobe



Parameter	Specification
Type	Variable temperature cryostat
Temperature range	1.6 – 300 K
Base temperature	1.6 K
Temperature stability	10 mK below 4 K
Flow control	Needle valve
Access diameter	25 mm or 40 mm
Height	To suit magnet
Mass	90 kg



Matrix Magnets Ltd., 8, Brasenose Drive, Kidlington, Oxon, OX5 2HD, UK

Please send enquiries to: jonathan04.cole@gmail.com